

- Brass Manifold
- Solid Ceramic Plungers
- Stainless Steel Plunger Guides and Check Valves
- Bronze Connecting Rods
- Heavy Duty Flat Base High Pressure Seals
- 57.6 oz. Capacity Vented Oil Bath Crank Case
- Max Fluid Temp, 160°F

NKC Series 30mm Keyed Solid Shaft Plunger Pumps

NKC Series super duty plunger pumps include a wide range of models with flow rates from 9.1 to 37.8 GPM and pressures up to 5075 PSI.

Other drive options include gas engine gear reduction and hydraulic motor flange

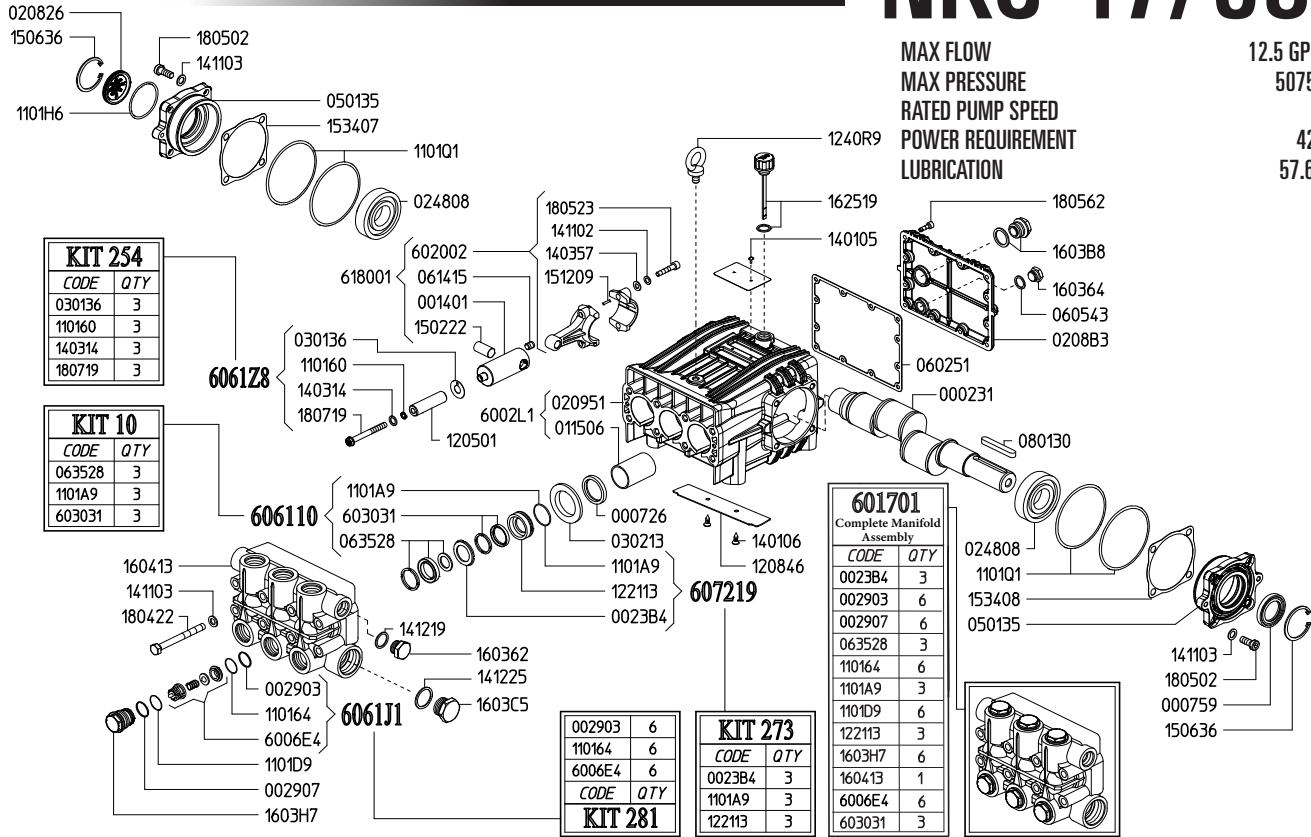
Applications include general pressure cleaning,, construction, hydro-excavation UHP fire fighting, mining and street cleaning.

	Model	Flow		Pressure		Plunger Dia.	Crankshaft		Power	Seal Kit	Valve Kit	Wt.
		GPM	l/min	PSI	bar		Stroke	Code				
1450 RPM	A NKC 35/350 R	9.1	34.6	5075	350	22mm	22.0mm	3	31.0 EBHP	6061.10	6061.J1	67 lbs
	A NKC 47/350 R	12.5	47.1	5075	350	22mm	30.0mm	F	42.5 EBHP	6061.10	6061.J1	67 lbs
	A NKC 55/300 R	14.1	53.4	4350	300	22mm	34.0mm	7	41.1 EBHP	6061.10	6061.J1	67 lbs
	A NKC 60/250 R	16.1	60.9	3625	250	25mm	30.0mm	F	39.0 EBHP	6061.11	6061.94	67 lbs
	A NKC 70/250 R	18.2	69.0	3625	250	25mm	34.0mm	7	44.2 EBHP	6061.11	6061.94	67 lbs
	B NKC 75/170 R	19.9	75.1	2465	170	28mm	30.0mm	F	32.8 EBHP	6061.12	6061.M6	67 lbs
	B NKC 85/170 R	23.0	87.0	2465	170	28mm	34.0mm	7	37.9 EBHP	6061.12	6061.M6	67 lbs
	B NKC 100/150 R	26.4	100.0	2175	150	30mm	34.0mm	7	38.4 EBHP	6072.02	6061.M6	67 lbs
	C NKC 130/130 R	33.3	126.2	1885	130	36mm	30.0mm	F	42.1 EBHP	6061.Q1	6061.S7	67 lbs
	C NKC 145/100 R	37.8	143.0	1450	100	36mm	34.0mm	7	36.7 EBHP	6061.Q1	6061.S7	67 lbs

NOTE: All pump models available with left-hand drive option. Substitute 'L' for "R" in model number when ordering (ex. NKC 145/100 L)

MAX FLOW
MAX PRESSURE
RATED PUMP SPEED
POWER REQUIREMENT
LUBRICATION

12.5 GPM / 47.1 L/MIN
5075 PSI / 350 BAR
1450 RPM
42.3 HP ELECTRIC
57.6 OZ UDOR LUBE



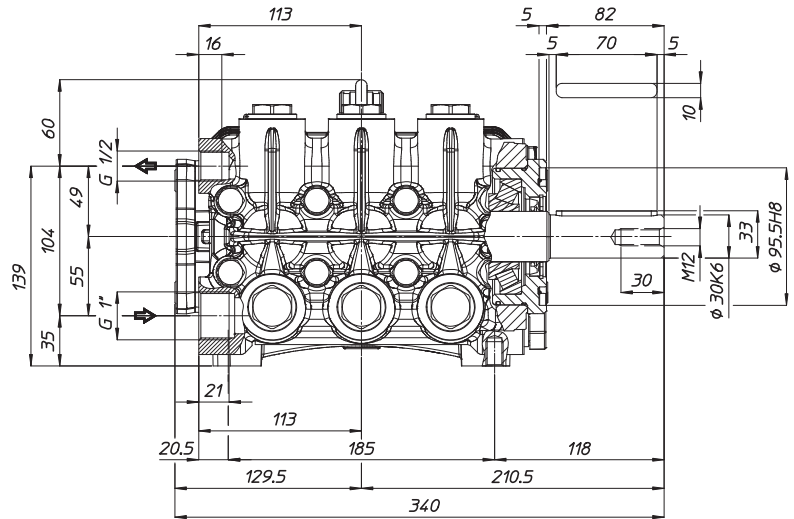
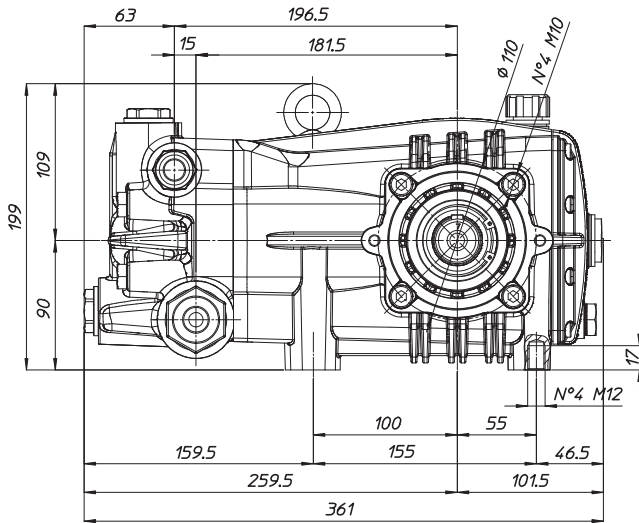
Revised 2-23-2022

Part #	Description	Qty	Part #	Description	Qty
0002.31	CRANKSHAFT 30MM	1	1411.03	WASHER	16
0007.26	OIL SEAL D35	3	1412.19	BONDED WASHER D21.5	1
0007.59	OIL SEAL	1	1412.25	BONDED WASHER D33.9 (G1")	1
0014.01	PLUNGER GUIDE	3	1502.22	PIN	3
0023.B4	UPPER RING D22 ^{D E}	3	1506.36	SNAP RING	2
0029.03	BACK UP RING ^{C E}	6	1512.09	PIN D5X20	6
0029.07	RING - VALVE PLUG ^E	6	1534.07	GASKET - BEARING FLANGE	1
0115.06	BUSHING D35	3	1534.08	SPACER / GASKET	1
0208.26	OIL SIGHT GLASS	1	1603.62	PLUG G1/2"	1
0208.B3	BACK COVER	1	1603.64	PLUG 3/8"	1
0209.51	CRANKCASE	1	1603.B8	OIL SIGHT GLASS W/GASKET	1
0248.08	BALL BEARING	2	1603.C5	PLUG G1"	1
0301.36	SLINGER RING ^A	3	1603.H7	VALVE PLUG D22/25 ^E	6
0302.13	SPACER	3	1604.13	HEAD D22 ^E	1
0501.35	BEARING FLANGE	2	1625.19	OIL CAP W/GASKET	1
0602.51	GASKET - PUMP BODY	1	1804.22	HEX BOLT	8
0605.43	GASKET - D17	1	1805.02	ALLEN BOLT	8
0614.15	SET SCREW	3	1805.23	ALLEN BOLT M8X40	6
0635.28	HIGH PRESSURE SEAL KIT D22 ^{B E}	3	1805.62	ALLEN BOLT M6X20	12
0801.30	KEY	1	1807.19	PLUNGER BOLT ^A	3
1101.60	O-RING - PLUNGER BOLT ^A	3	6002.L1	CRANKCASE ASSEMBLY	1
1101.64	O-RING - VALVE ^{C E}	6	6006.E4	VALVE ASS'Y W/O O-RING ^{C E}	6
1101.A9	O-RING - PRESSURE RING ^{B D E}	3	6017.01	COMPLETE MANFOLD ASSEMBLY NK D22	1
1101.D9	O-RING - VALVE PLUG ^E	6	6020.02	CONNECTING ROD	3
1101.H6	O-RING - OIL SIGHT GLASS	1	6030.31	LOW PRESSURE SEAL KIT D22 ^{B E}	3
1101.Q1	O-RING - BEARING FLANGE	4	6180.01	CONNECTING ROD ASS'Y COMPLETE	3
1205.01	CERAMIC PLUNGER D22	3	6061.10	WATER SEAL KIT (KIT 10)	1
1208.46	PLATE	1	6061.J1	VALVE KIT (KIT 281)	1
1221.13	PRESSURE RING D22 ^{D E}	3	6061.Z8	PLUNGER BOLT KIT (KIT 254)	1
1240.R9	LIFTING HOOK M10	1	6072.19	BRASS RING KIT D22 (KIT 273)	1
1401.05	RIVET 3.5X8	2			
1401.06	RIVET D4X10	2			
1403.14	WASHER - PLUNGER BOLT ^A	3			
1403.57	WASHER M8	6			
1411.02	SERRATED WASHER D8	6			

A Parts in 6061.Z8 (Kit 254).
B Parts in 6061.10 (Kit 10).
C Parts in 6061.J1 (Kit 281).
D Parts in 6072.19 (Kit 273).
E Parts in 6017.01 (Complete Manifold Assembly).

*Dimensional Drawings are
Shown in Millimeters.
To Convert to Inches,
Multiply Dimension x 0.03937*

NK SERIES PUMPS 22mm & 25mm Plungers



TORQUE SPECS

Ref.	Description	Ft./lb.	Nm	Loctite®
1	Head Bolts	37	50	-
2	Valve Caps	88	120	243
3	Inlet Cap	133	180	-
4	Outlet Cap	88	120	243
5	Bearing Flange Bolts	37	50	-
6	Rear Cover Bolts	8	11	-
7	Connecting Rod Bolts	19	25	243
8	Plunger Bolts	22	30	270
9	Valve Cover Bolts	-	-	-
10	Oil Drain Plug	8	11	-

